

PULVIN

Capabilities and Services Statement





Who we are

Since its inception in 1977, Pulvin Lighting quickly established itself in Australia as one of the industry's leading specialist lighting wholesalers. This was further solidified when Composite Lighting was incorporated into the business to form Pulvin Composite Lighting Solutions in 2002.

In 2024, Pulvin Lighting remains 100% Australian-owned and operated, facilitating some of the country's largest electrical lighting projects. Based in Sydney, NSW, Pulvin Lighting has 200 years of combined industry experience within our team, providing integrated and tailored lighting solutions to the electrical business sector. With this depth of knowledge in new and emerging technologies, there isn't a project too complex for Pulvin Lighting.



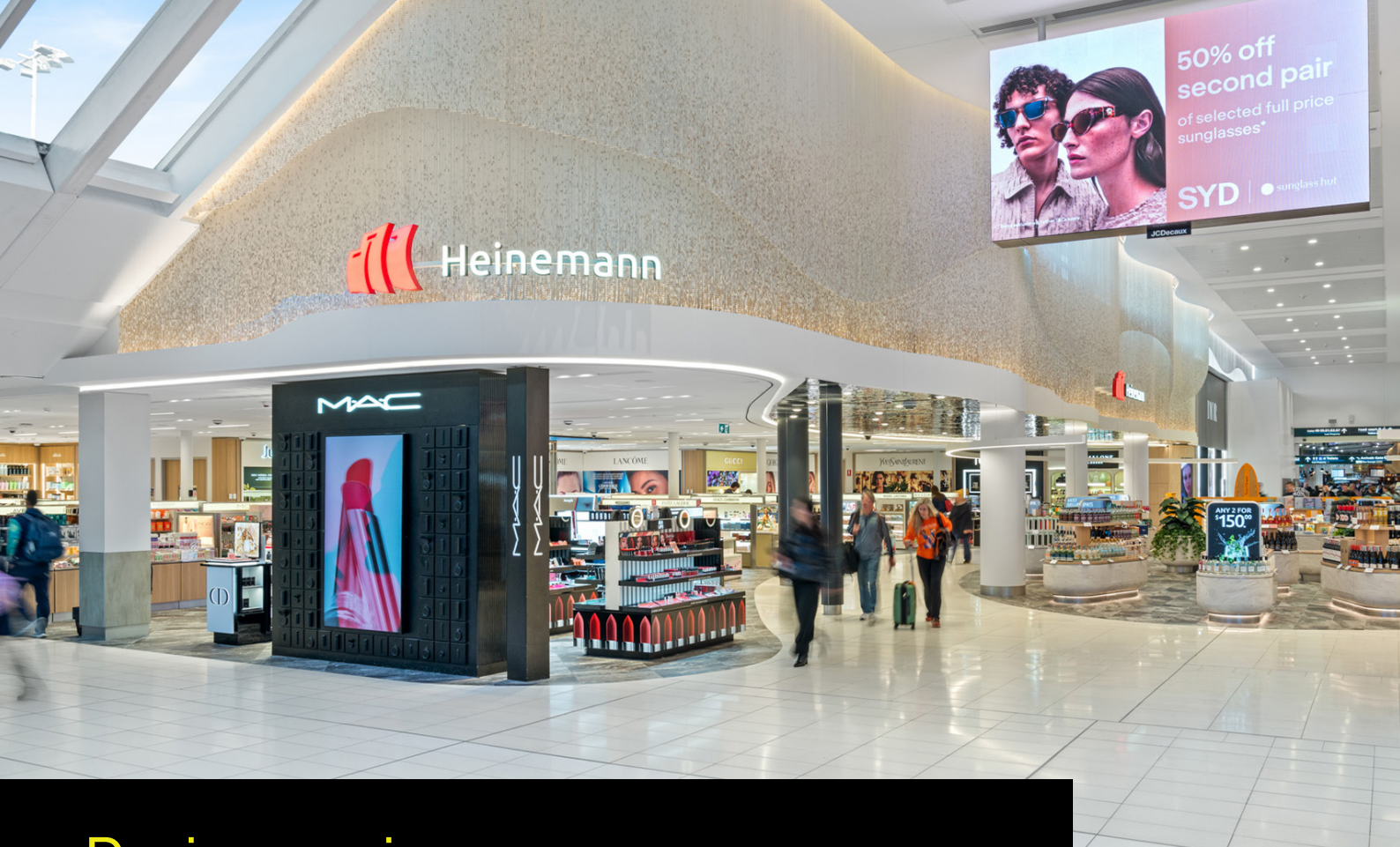
What we do

Estimating

- Thorough review of specifications and drawings
- Accurate identification of the required bill of materials
- Prompt notification of potential conflicts within drawings and specifications
- Compilation of manufacturer pricing with meticulous review for accuracy
- Submission of comprehensive and detailed quotes

Project Management

- A dedicated Project Manager available to assist with all aspects of project logistics and financial management
- Provision of detailed light fixture data sheets for approval
- Supply of manufacturer shop drawings for non-standard or custom products
- Preparation of a detailed spreadsheet outlining lead times, continually updated throughout the project
- Attendance at job meetings as necessary
- Coordination of logistics for various manufacturers and scheduling deliveries as needed
- Clear and comprehensible invoicing procedures
- Provision of comprehensive handover documentation, including data sheets and warranty information for maintenance and operations
- Supply of manuals for ease of reference
- After-sales services encompassing troubleshooting assistance and efficient



Design services

Lighting Knowledge

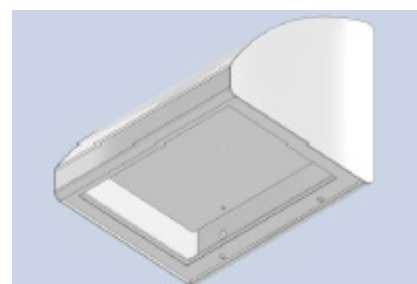
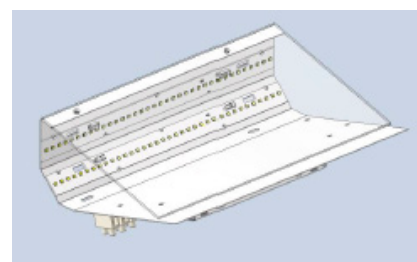
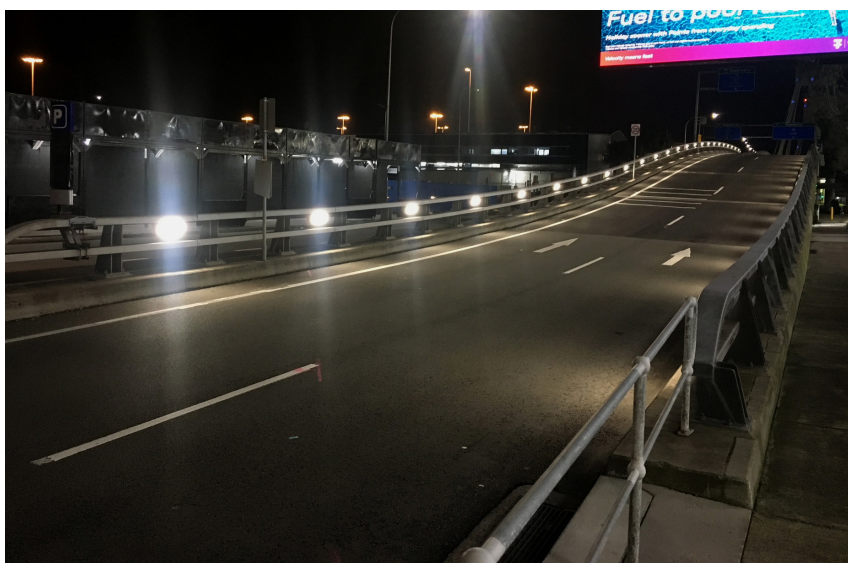
- Proficient in the technical aspects of lighting
- Access to top-tier suppliers and brands
- Unique lighting sourcing capabilities
- Expertise in interior lighting, encompassing downlights, lamps, pendants, wall fixtures, LED strips and profiles
- Proficiency in exterior lighting (IP Rated), including street lights, floodlights, car park lights, in-ground fixtures, landscape lighting, and urban lighting
- Specialisation in energy-efficient lighting solutions
- Expertise in security lighting, including IK10 fittings and vandal-resistant luminaires
- Competence in emergency and exit lighting systems
- Knowledgeable in hazardous lighting for gas-prone environments
- Ability to design commercial-grade cleanroom lighting for environments such as food preparation areas, kitchens, and operating theatres
- Proficiency in lighting control systems and automation

Design services

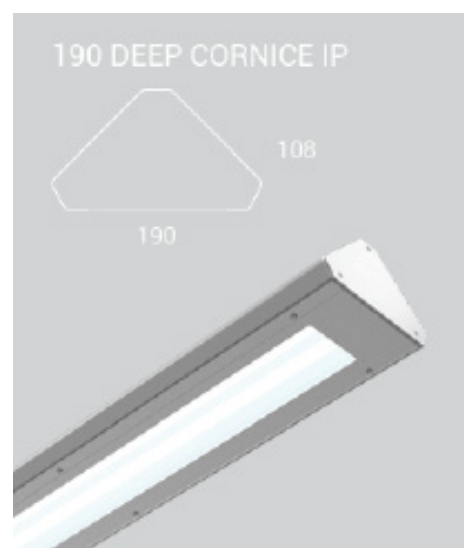
Custom Solutions

- Capable of customising fittings to suit specific applications
- Specialisation in maintenance and operational cost saving solutions
- Experience in engineered retrofit lighting solutions

Domestic Terminal Balustrade - Retrofit solution



T3 Domestic Terminal Bus Shelter - Custom profile





The Pulvin difference

- Design and Construct
- Dedicated project manager to oversee each project.
- Low staff turnover – all staff have been working here from 5 – 30 years
- Solutions-based wholesaler – experienced staff with a strong product knowledge base
- Technical support – provided by in-house experienced technicians
- Positive supplier relationships built over many years
- Communication - focused on providing excellent service
- Education – Team Pulvin is kept updated and informed of industry standards, codes, and the constantly evolving LED world, as well as the cutting edge of lighting styles, ideas, and technologies.
- Friendly, dedicated staff for technical expertise and problem solving

We are the Lighting Specialists!



Transport Lighting Specialists

Over the past decade, Pulvin has successfully delivered some of Sydney's most prestigious transport projects, with a total value exceeding \$30 million.

- Sydney Airport T1 Upgrade
- Sydney Airport T2 Pier A
- Sydney International Airport T1
- Sydney Airport T1 Bussing Pier
- Sydney Airport T1 Pier B&C
- Sydney Airport L7 & L8 Central Terrace
- Sydney Airport Balustrade LED Lighting Upgrade
- Sydney Airport Bus Shelters LED Upgrade
- Qantas Captains Club
- Qantas First Class Lounge
- Sydney Airport T3 Domestic Terminal Baggage Handling
- SMTF Sydney Stabling Yard
- Cross River Rail Clapham & Mayne Stabling Yard
- Pitt Street Metro
- Reliance Rail Maintenance Facility
- Glenfield to Leppington Rail Line
- Sydney Light Rail Inner West Extension
- Epping to Thornleigh Third Track
- Kangy Angy Rail Maintenance Facility
- Central Station Redevelopment & Metro



Project references

Central Station Sydney



Towradgi Station



Heinemann T2 & T3 Domestic Airport Sydney



Qantas First Class Lounge Sydney



Pitt Street Metro Station



Merewether Beach

Pulvin Lighting Pty Ltd | 02 9879 3699 | Info@pulvin.com.au



PULVIN

Pulvin Lighting Pty Ltd
ABN: 27 619 505 734

02 9879 3699
info@pulvin.com.au



Unit 18, 43-45 College Street
Gladesville NSW 2111

Pulvin.com.au